

### Quick installation with the latest safety features

All our swing door operators feature 'plug-and-play' installation. This means that in both new installations and when modernizing existing automatic or manual equipment, your doors can be up and running quickly and with minimum disruption.

They also include a range of standard features designed to ensure maximum safety and convenience for users. For example, the wind-stack feature ensures the door can operate even in windy conditions, while the push-and-go feature means the door is easy to open by hand when required. In addition, KONE swing door operators can also include a break-out function that allows the door to open in the opposite direction in emergency situations.

### The KONE Swing door operator range

**KONE UniSwing® Compact** – compact operator for all standard swing doors, with a space-saving design that makes it ideal for a wide range of applications

**KONE UniSwing® Solid** – flexible operator for environments where smooth door closing is essential; includes spring return for closure during power failures

### KONE UniSwing® Robust

Reliable, automated operator for swing doors in the most demanding environments. A state-of-the-art control system enables advanced safety and functionality features that comply with the latest European codes and regulations.

**KONE UniSwing® FireSafe** – reliable, durable operator for powering heavy fire-rated doors; fulfills EN 1154 and EN 1155 requirements.



KONE maintains and modernizes all types and brands of building doors.

PRODUCT INFO – MAXIMUM DOOR LEAF WEIGHTS (KG)						
		KONE UniSwing® Compact	KONE UniSwing® Solid	KONE UniSwing® Robust	KONE UniSwing® FireSafe Power size 4*	KONE UniSwing® FireSafe Power size 5*
700 mm	Pull	300	230	n/a	n/a	n/a
	Push	300	230	n/a	n/a	n/a
750 mm	Pull	n/a	n/a	320	n/a	n/a
	Push	n/a	n/a	320	n/a	n/a
950 mm	Pull	160	125	200	200	n/a
	Push	160	125	200	200	n/a
1100 mm	Pull	120	95	145	150	190
	Push	120	95	145	150	190
1200 mm	Pull	n/a	80	120	n/a	160
	Push	n/a	80	120	n/a	160
1250 mm	Pull	n/a	n/a	115	n/a	150
	Push	n/a	n/a	115	n/a	150
Max. door width	Push and Pull	1100	1200	1250	1100	1250

EXAMPLE OF DOOR CLOSER DATA			
Door with range	Power size 4*		Power size 5*
	950 – 1100	1100 – 1250	
Closing torque, min.	26	37 Nm	* Note: Value for standard EN 1154
Closing torque, max.	37	54 Nm	* Note: Value for standard EN 1154
Closing force, min.	23.6	29.6 N	* Note: At top of widest door leaf of power size
Closing force, max	38.9	49.1 N	* Note: At top of widest door leaf of power size

\* Power size: closing force in relation to door leaf width classification according to EN 1154 standard  
Power size 4: 950 -1100 mm door leaf  
Power size 5 : 1100 - 1250 mm door leaf

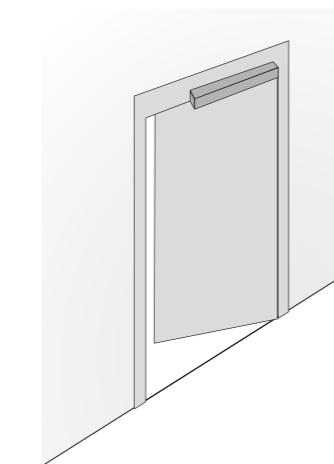
TECHNICAL INFORMATION				
	KONE UniSwing® Compact	KONE UniSwing® Solid	KONE UniSwing® Robust	KONE UniSwing® FireSafe
<b>Interior door</b>	Yes	Yes	Yes	Yes
<b>Exterior door*</b>	No	No	Yes	Yes
<b>Fire rated door</b>	No	No	No	Yes
<b>Technical life span</b>	1.000.000 cycles	1.000.000 cycles	1.000.000 cycles	500.000 cycles
<b>Housing</b>	Aluminum anodized	Aluminum anodized; optional power coated in RAL colors	Aluminum anodized; optional power coated in RAL color	Aluminum anodized; optional power coated in RAL color
<b>Principle</b>	Motor opening and closing	Motor opening, closing by spring and motor assistance	Motor opening, closing by spring and motor assistance	Motor opening, closing by spring and motor assistance
<b>Dimensions operator (height, depth, width)</b>	75 x 75 x 700 mm	111 x 88 x 700 mm	111 x 88 x 700 mm	111 x 88 x 700 mm
<b>Door Mass</b>	Max. 290 kg at 700 mm door width Max. 120 kg at 1100 mm door width	Max. 230 kg at 700 mm door width Max. 80 kg at 1200 mm door width	Max. 300 kg at 700 mm width Max. 150 kg at 1100 mm width Max. 120 kg at 1250 mm width	Door width 950 -1100 mm Max. 200 kg at 950 mm Door width 1100 -1250 mm Max. 190 kg at 1100 mm
<b>Door leaf thickness, and hinge depth (door leaf surface to hinge axel)</b>	Supports door leaf thickness of 35 to 55 mm; hinge depth up to 25 mm**	Supports door leaf thickness of 35 to 55 mm; hinge depth up to 25 mm**	Supports door leaf thickness up to 75 mm ; hinge depth up to 25 mm**	Supports door leaf thickness up to 75 mm ; hinge depth up to 25 mm**
<b>Reveal distance</b>	From -25 to 140 mm	From -25 to 140 mm	From -25 to 140 mm pushing optional from 140 to 280 mm	From -25 to 140 mm
<b>Door opening angle</b>	Up to 105°	Up to 105°	Up to 105°	Up to 105°
<b>Main power supply</b>	230 VAC +10/-15% 50/60 Hz Main connection: phase, neutral and protective earth (PE)	230 VAC +10/-15% 50/60 Hz Main connection: phase, neutral and protective earth (PE)	230 VAC +10/-15% 50/60 Hz Main connection: phase, neutral and protective earth (PE)	230 VAC +10/-15% 50/60 Hz Main connection: phase, neutral and protective earth (PE)
<b>Internal mains fuse</b>	T2A/250V	T2A/250V	T2A/250V	T2A/250V
<b>Power supply for external devices</b>	24 VDC / 1 A max	24 VDC / 1 A max	24 VDC / 1 A max	24 VDC / 1 A max
<b>Classification</b>	IP 20; only for dry environments	IP 20; only for dry environments	IP 20; only for dry environments	IP 20; only for dry environments

\* For exterior door applications, the door operator must always be installed inside of the building  
\*\* If outside the range, please consult with your KONE representative

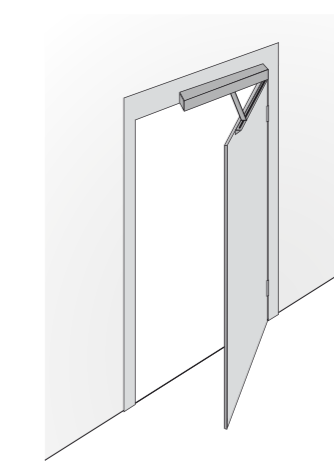
OPTIONAL FEATURES AVAILABLE
Wireless Program Switch
Wireless push buttons
Shaft extension
Pushing arm extension for larger reveal depth
Synchronization for double doors
Finger protection devices
Availability of safety devices

### Installation options

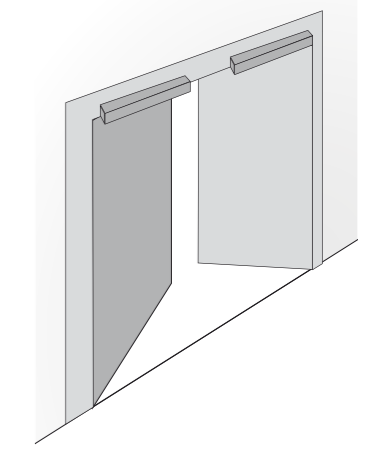
KONE swing door operators can be used with all opening types, and with both DIN left and DIN right doors.



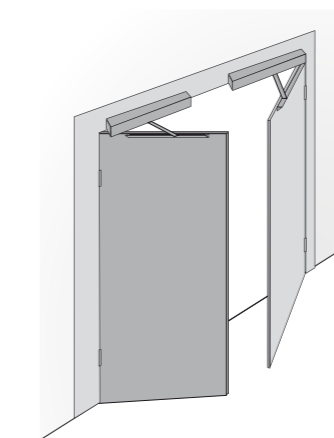
**1-leaf door**  
Side-arm DIN, left or right pushing



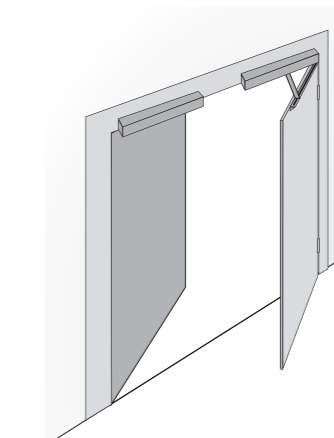
**1-leaf door**  
Standard arm, DIN left or right pulling



**2-leaf door, master/slave operation**  
Two electrically coupled drives with standard arm pushing

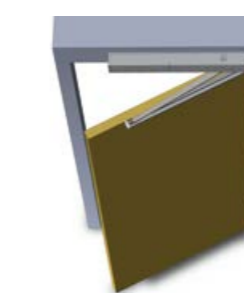


**2-leaf door, master/slave operation**  
Two electrically coupled drives with standard arm pulling

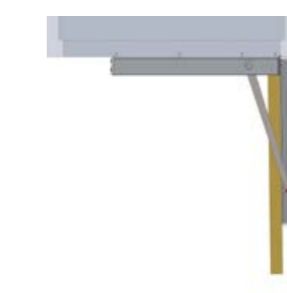


**2-leaf door with two-way traffic**  
Two alternating drives

### Pulling assembly

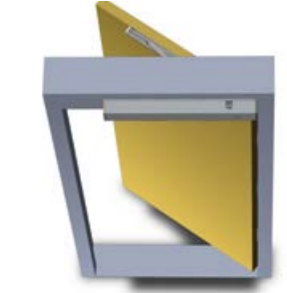


Door frame, front view



Door frame, top view

### Pushing assembly

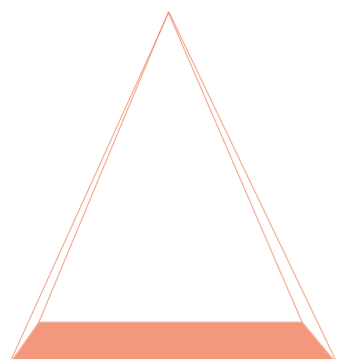
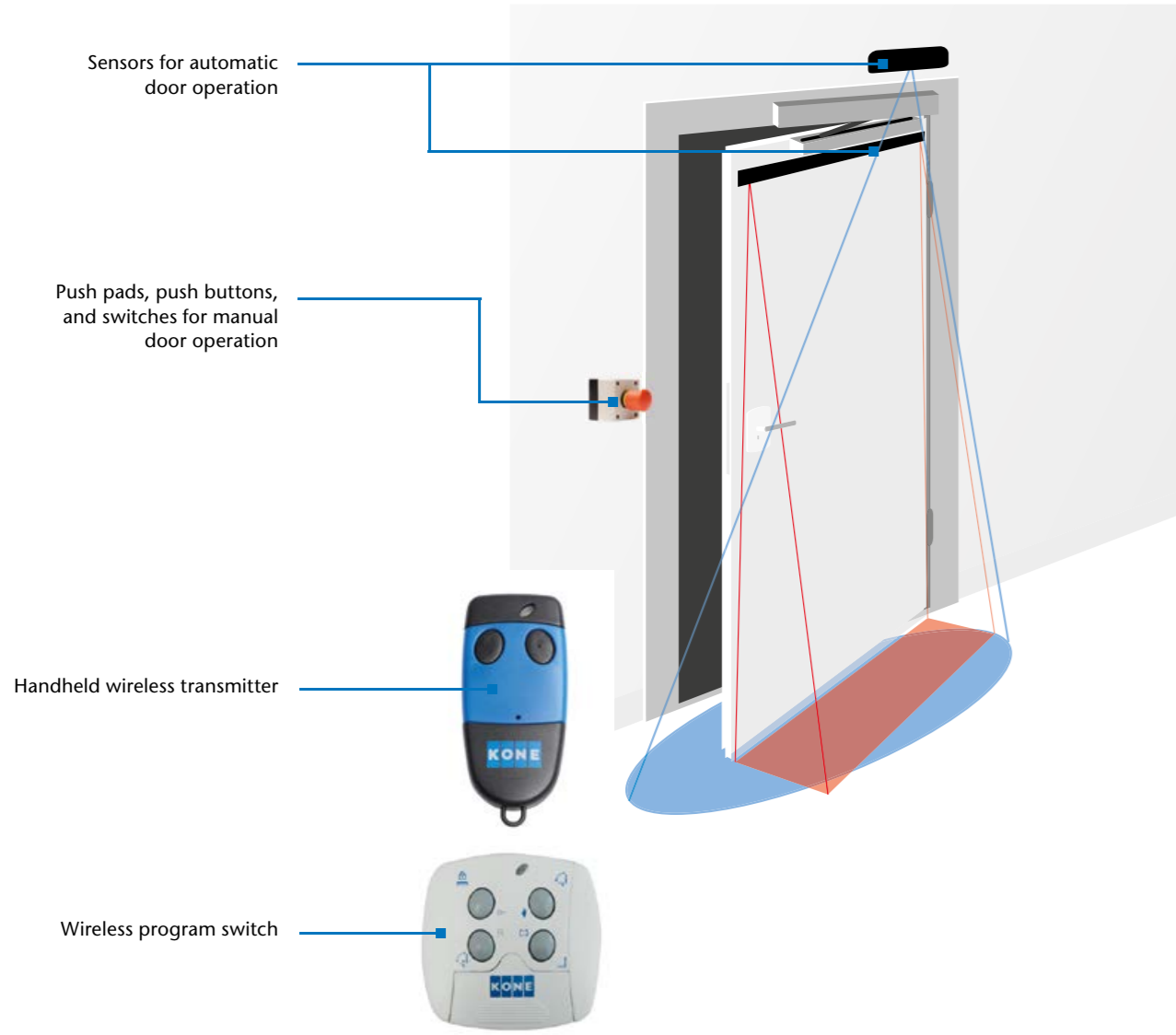


Door frame, front view

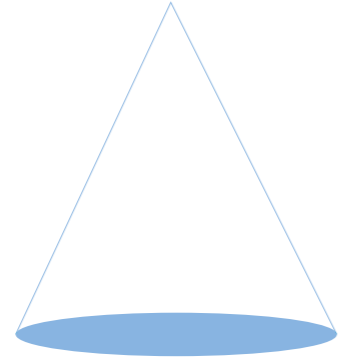


Door frame, top view

## Door operation



**Safety (red area):** A sensor installed at the top of the door prevents it from opening or closing if a person or object is detected in the safety zone.



**Activation (blue area):** A sensor, usually installed above the door, causes the door to open when a person or object enters the activation zone.

KONE provides innovative and eco-efficient solutions for elevators, escalators, automatic building doors and the systems that integrate them with today's intelligent buildings.

We support our customers every step of the way; from design, manufacturing and installation to maintenance and modernization. KONE is a global leader in helping our customers manage the smooth flow of people and goods throughout their buildings.

Our commitment to customers is present in all KONE solutions. This makes us a reliable partner throughout the life cycle of the building. We challenge the conventional wisdom of the industry. We are fast, flexible, and we have a well-deserved reputation as a technology leader, with such innovations as KONE MonoSpace®, KONE EcoMod™ and KONE UltraRope™.

KONE employs on average 47,000 dedicated experts to serve you globally and locally.

**KONE Corporation**  
[www.kone.com](http://www.kone.com)

This publication is for general informational purposes only and we reserve the right at any time to alter the product design and specifications. No statement this publication contains shall be construed as a warranty or condition, express or implied, as to any product, its fitness for any particular purpose, merchantability, quality or representation of the terms of any purchase agreement. Minor differences between printed and actual colors may exist. KONE MonoSpace®, KONE EcoDisc®, KONE Care® and People Flow® are registered trademarks of KONE Corporation. Copyright © 2015 KONE Corporation.

# KONE Swing door operators

FOR A SMOOTH, SAFE FLOW OF PEOPLE AND GOODS

KONE's comprehensive range of modern swing door operators is designed to meet the needs of a wide range of demanding environments. These energy-efficient solutions are fully automatic, incorporate the latest intelligent operator technology, and provide reliable long-term performance.

### Highly versatile solution with smooth, quiet operation

KONE Swing door operators are easy to program for fully adjustable door operation, and are an excellent way to improve accessibility, convenience, safety, and security in your building. Door opening and closing is smooth and quiet, and the operators' compact, modern design means they are the ideal solution both for new door equipment and automation of existing manual swing doors.

### Intelligent operation in varying usage conditions

KONE Swing door operators use a self-regulating intelligent control system that ensures optimal operation at all times. All our operators are easy to program and adjust for your specific people flow needs, and designed to perform reliably in varying usage conditions. KONE's Smart Door technology enables easy adjustment of the opening and closing speed – as well as the opening angle – of your doors, while ensuring the highest standards of user safety.

### KEY BENEFITS

- Improved building accessibility and convenience
- Improved people flow with access control system integration
- Versatile, intelligent solution with adjustable operation for a wide range of environments
- Compact, unobtrusive designs blend in with surroundings
- One unit for all applications: left and right, pushing and pulling
- Lower energy consumption and environmentally friendly; no hydraulics used



	APPLICATION		
	Standard swing door		Fire rated swing door
	No sping closure	Sping closure	
Interior doors	KONE UniSwing® Compact	KONE UniSwing® Solid KONE UniSwing® Robust	KONE UniSwing® FireSafe
Exterior doors		KONE UniSwing® Robust	KONE UniSwing® FireSafe